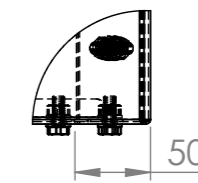
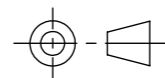



DETAIL A  
SCALE 1 : 5



DETAIL B  
SCALE 1 : 5

		DATE		TITLE:	
DRAWN	Luuk van den Heuvel	8-11-2022		Corten 1.5mm	
REVISION			Drawing.		
			Liessentstraat 4, 5405 AG Uden (NL). † 0031 (0)413 - 27 41 68. e info@adezz.com, i www.adezz.com		A3
Color:		Mass (kg):	<b>23.90</b>	SCALE:1:20	SHEET 1 OF 4